

1 LAYER 300HD REMOTE ACCESS UNIT CROSS SECTION

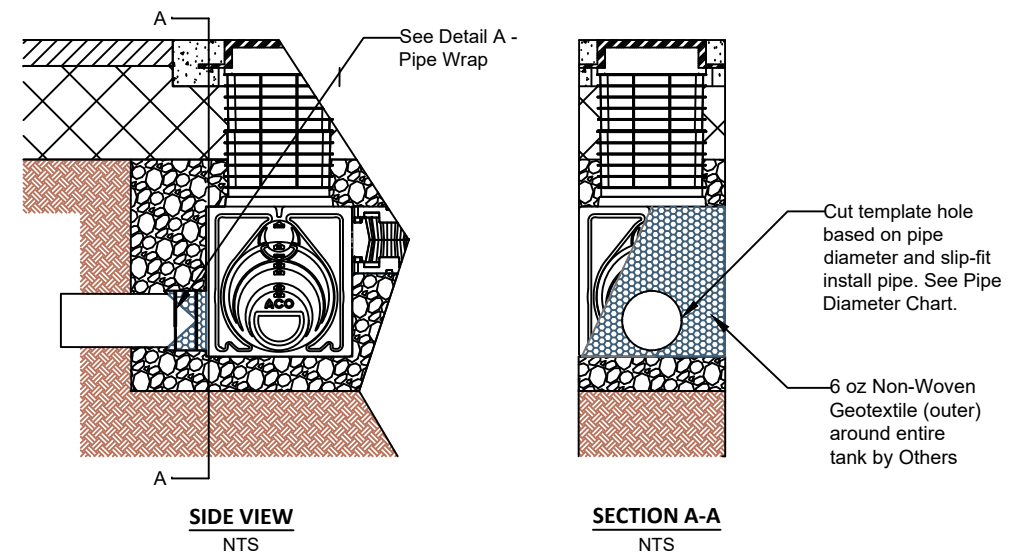
NTS

- NOTE 1: Ventilation may be crucial to reducing the pressure build up within the system. If solid access covers are used, alternative methods of ventilation are recommended.
- NOTE 2: Concrete Load Plates should contact/bond to the Remote Access Cover. A gap or bond break is recommended between cast-in-place concrete and the extension shaft. Consult Engineer of Record for additional requirements.
- NOTE 3: To accommodate HD Remote Access Unit, half-modules may need to be cut in half. See the project-specific layer orientation drawings for more information.
- NOTE 4: Contractor to cut template holes on interior panels to allow water flow and tank access. Unless otherwise specified in the project drawings, cut 4" diameter template holes near the top of the Remote Access Unit on the three interior sides.
- NOTE 5: The minimum width of sidewall backfill is 12" or large enough to accommodate selected compaction equipment, whichever is greater.
- NOTE 6: Side panels are not required along 300 half layers

REMOTE ACCESS UNIT PIPE DIAMETER CHART

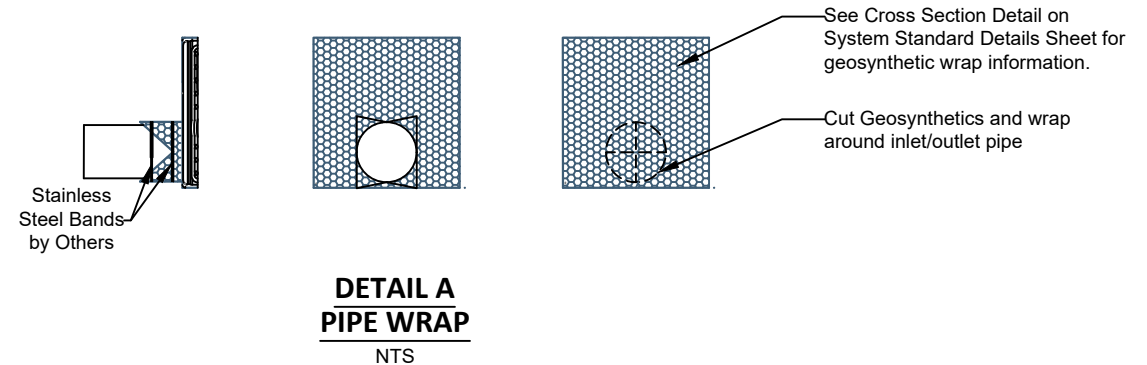
Nominal Template Hole Diameter (inches)						
4	6	8	10	12	15	18 (See Note 3)

- NOTE 1: Cut inlet / outlet pipe hole prior to Remote Access Unit installation.
- NOTE 2: Pipe diameters apply to thin-wall pipes. Contact ACO for guidance with other pipe types.
- NOTE 3: A 600HD Remote Access Unit with Adapter Plate (Part #138140) is available for 18-inch pipe connections. This 600HD Remote Access Unit with Adapter Plate has a pre-cut nominal 18-inch diameter hole in one side.
- NOTE 4: Contact ACO for guidance for inlet / outlet pipes larger than 18-inch diameter.



1 LAYER 300HD - REMOTE ACCESS UNIT PIPE INSTALLATION

NTS



DRAWN BY K Chejarla	CHECKED BY A Frye
DATE 10/07/2025	REV. 0

STORMBRIXX - STANDARD DETAILS

300HD SYSTEM - 1 LAYER REMOTE ACCESS UNIT



WEST SALES OFFICE
825 W BEECHCRAFT ST.
CASA GRANDE, AZ 85122
Tel. (888) 490-9552
Fax (520) 421-9899

EAST SALES OFFICE
9470 PINECONE DRIVE
MENTOR, OH 44060
Tel. (800) 543-4764
Fax (440) 639-7235

SOUTHEAST SALES OFFICE
481 MUNN RD. SUITE #225
FORT MILL, SC 29715
Tel. (440)-639-7230
Fax (803)-802-1063

www.acoswm.com